

# OPAL XL

Cartridge Filter

**For crystal clear, sparkling water**



Opal XL cartridge filters are designed to house an extra large filter cartridge, maximising its dirt holding capacity and minimising filter maintenance.

The filter's dome lid is equipped with grip handles that allows easy access to the filter cartridge for removal, cleaning and installation in a matter of minutes.

The Opal XL cartridge filters are ideal for applications where back washing may not be practical or areas where water may be scarce.

## Rugged Construction

Constructed from high impact polypropylene and designed for easy maintenance. The Opal XL cartridge filters will provide years of trouble free service.



Easy to read pressure gauge.

Air relief valve.

Dome shaped lid is equipped with grip handles that allowing simple cartridge removal and replacement.

Solid one piece moulded polymer tank. Low profile for easy cartridge removal and inconspicuous enclosure.

Tough heavy duty polyester filter fabric with wide and deep pleats for better filter efficiency, easy cleaning and longer cartridge life.

50mm quick connect barrel unions for UPVC pipe.

## Extra Large Filter Cartridge

Opal XL filter cartridges are fabricated from pleated reusable polyester fabric. The extra larger size cartridge has been pleated to provide 225ft<sup>2</sup> (20.9m<sup>2</sup>) to 270ft<sup>2</sup> (25.1m<sup>2</sup>) of surface area maximising its dirt holding capacity and minimising filter maintenance.

**Material:** Polyester fabric material, plastisol end caps and a polypropylene core.

**Operating Temperature:** 4°C to 50°C **Maximum Pressure Drop:** 20 kPa



## Simple Maintenance

The filter cartridge is easily cleaned by hosing the pleats with a standard garden hose.

## Technical Specifications

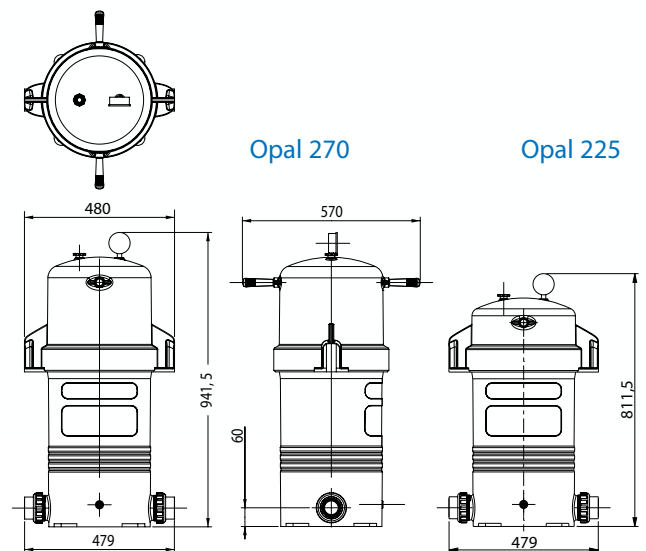
Model	Filter Area		Max Flow Rate lpm	Working Pressure		Max Pool Size litres
	(m <sup>2</sup> )	(ft <sup>2</sup> )		kPa	psi	
Opal 225	20.9	225	510	250	50	183,600
Opal 270	25.1	270	510	250	50	183,600

## Warranty

Opal Filter (Tank)	10 Years (5 Years Full + 5 Years Pro Rata)
Other Components	1 Year
Labour	1 Year

Please refer to Waterco's warranty terms and conditions

## Dimensions



\* Minimum Clearance Height to Remove Cartridge (mm)

## SHOW ROOM & MARKETING

### POOLSPA MART INDONESIA

Jl. Bulevar Selatan, Bekasi Utara, Summarecon

Mobile : 0818-919-597

website : poolspamartindonesia.com

## HEAD OFFICE & SERVICE CENTRE

### PT. PERSADA CAHAYA MULIA INDONESIA

website : www.watercocentral.com

**WATERCO** | **CENTRAL**  
water the liquid of life | INDONESIA



**SPASA**  
AUSTRALIA MEMBER